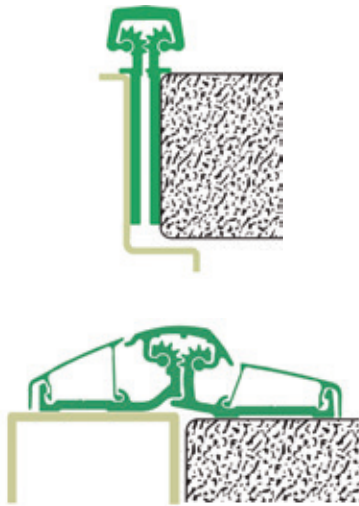


Ives Continuous Hinges are designed to last the life of the building. The unique design distributes the weight of the door along the entire length of the frame, reducing the high amount of stress normally associated at top of door and frame on butt hinge applications.

Not only does this reduce hinge failure, it also keeps your door in constant alignment, greatly reducing the chance of door sag. These characteristics make continuous hinges suitable for high use/high traffic doors.

The design of a continuous hinge eliminates the gap between the door and the frame. The absence of gap also helps prevent finger from being pinched, making it a safer device than traditional hinges. These benefits result in higher efficiency and less maintenance, maximizing the value of your opening investment.

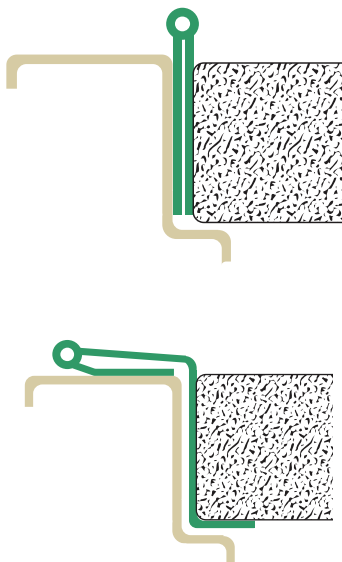
Continuous hinges are available in two styles; aluminum geared and pin and barrel in steel or stainless steel.



### Aluminum geared

Geared continuous hinges utilize a single gear section for the leaf and a separate gear section for the frame side of the door. The two are held in place together by a full length cover channel and rotate on a series of bearings.

Ives provides two unique series of bearing designs. The HD model features a spread bearing design for lighter weight doors. The XY features a center load bearing design to help reduce frame issues and also has an available hospital tip cap and electric through wire panel with a continuous cover.



### Pin and barrel

Pin and Barrel hinges share many of the same characteristics of a traditional hinge. Both have a center pin and rolled knuckles. However, a continuous Pin and Barrel hinge stretches along the entire length of the frame. Ives offers both stainless steel and primed steel to best match your specific application.

Ives also offers the CS series pin and barrel hinges which provides a patented solution that brings the clean aesthetic design of aluminum geared continuous hinge to the ruggedness and safety afforded by stainless pin and barrel continuous hinges.

### Lifetime warranty

Ives continuous hinges carry a limited lifetime warranty, ensuring your opening will function to your satisfaction every time. Please refer to the price book for more detailed warranty information.

## General hinge information

### ANSI Certified

All Ives Aluminum geared hinges are certified to ANSI 156.26, Grade 1

XY Models ..... Grade 1 150lb and 300lb door test

HD Models ..... Grade 1 150lb door test

### UL Listed

All Ives Aluminum geared hinges are tested and approved UL 10C (90 minutes).

### Material

6063-T6 Aluminum

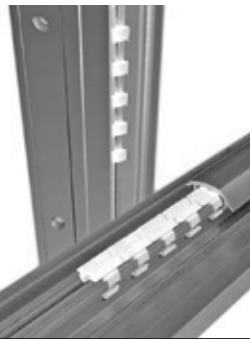
### Hinge duty

All Ives Aluminum geared hinges are heavy duty (XY and HD models)

XY Model - Slot Adjustability



XY Model - Bearings



HD Model



### XY Models:

- Rounded gear design for extended life and smoother operation.
- Patented, center loaded, interlocking bearing design which helps handle the opening and closing of the door better over time. All sizes have 37 Bearings.
- XY Mounting Slot Adjustability on all full and half surface models to help with installation.
- Frame guidance lip is extended further for retrofit applications to cover existing heavy weight architectural hinge preps.
- Improved aesthetics with a curved, articulating cover design which eliminates pinch points

### HD Models

Features transmission gear design with bearings that are evenly spaced every 3" on center - Amount of bearings varies by size

- 83" .....32 Bearings

- 85" .....32 Bearings

- 95" .....36 Bearings

- 120" .....47 Bearings

### Standard lengths

83", 85", 95", 119" (XY Models), 120" (HD Models) Custom lengths available up to 119", consult factory. Handing required for 224HD

### Finishes

BHMA	US	Description	Base Material
628	US28	Clear aluminum anodized	Aluminum
710	313AN	Dark bronze anodized	Aluminum

Custom finishes available, consult factory.

### Field modifications

Ives Aluminum geared continuous hinges can be cut to length from both ends during installation.

### XY Models

The unique mounting pattern of the XY hinge allows it to be cut down to 69" while still having double row fasteners regardless of the original length of the hinge. Requires the hinge to be cut from both ends. Example: A 119" hinge can have 25" removed from each end to make it a 69" long hinge.

### HD Models

The unique mounting pattern allows to cut up to 6" from bottom while still having double row fasteners. If cut more than 13.5", other modifications may be necessary.

### Door weight

For doors up to 200 lbs, no door reinforcement is required. For doors between 200 and 450 lbs a 16 gauge channel in the frame is required. For doors up to 600 lb, rivet nuts are required in the frame in addition to the frame reinforcement. Max door width of 4'0".

### Hospital tips

#### Hospital tip (HT) for XY models

The new XY models features a new ligature resistant and tamper resistant Hospital Tip Cap. The new design provides a single uniform 45° angle surface with no exposed edges or openings.

#### Hospital tips (HT) for HD models

The standard hospital tip option includes an angle machined channel cover and bearing to provide a flush angled surface. Recommended for HT retrofit applications only.



## Mounting hardware

<b>Standard hardware</b>		
Full mortise hinges	12-24 x 3/4" Steel self drilling / self tapping phillips head screw	
Half surface hinges Includes 210XY	12-24 x 3/4" Steel self drilling / self tapping phillips head screw 12-24 x 3/4" Steel self drilling / self tapping hex head screw	
Full surface hinges 157XY Only	12-24 x 3/4" Steel self drilling / self tapping hex head screw	
<b>Security screws - Hollow metal door and frame (SEC/HM)</b>		
Full mortise hinges 112HD and 224HD only Available as accessory parts kit for full mortise XY hinges (026XY, 027XY, 040XY, 041XY, 112XY, 114XY, 224XY)	12-24 X 1/2" Stainless steel socket security screw	
<b>Security screws - 1/2 wood, 1/2 hollow metal (SEC/WD/HM)</b>		
Full Mortise Hinges 112HD and 224HD only Available as accessory parts kit for full mortise XY hinges (026XY, 027XY, 040XY, 041XY, 112XY, 114XY, 224XY)	12-24 X 1/2" Stainless steel socket security screw 12 X 1 1/4" Stainless steel socket security wood screw	
<b>1/2 Self drill, self tap / 1/2 wood (TEK/WD)</b>		
Full mortise hinges	12-24 x 3/4" Steel self drilling / self tapping phillips head screw	12 x 1 1/4" Phillips head wood screw
Half surface hinges	12-24 x 3/4" Steel self drilling / self tapping phillips head screw	1/4 x 1 1/2" Hex head lag screw
Full surface hinges	12-24 x 3/4" Steel self drilling / self tapping hex head screw	1/4 x 1 1/2" Hex head lag screw
<b>Wood door and frame (WD)</b>		
Full mortise hinges	12 x 1 1/4" Phillips head wood screw	
Half surface hinges Includes 210XY	12 x 1 1/4" Phillips head wood screw 1/4 x 1 1/2" Hex head lag screw	
Full surface hinges 157XY only	1/4 x 1 1/2" Hex head lag screw	
<b>Thread forming (TF)</b>		
Full mortise hinges 112HD and 224HD only Available as accessory parts kit for full mortise XY hinges (026XY, 027XY, 040XY, 041XY, 112XY, 114XY, 224XY)	12-24 x 3/4" Steel thread forming phillips head screw	

Hinges & pivots  
**A19**

Pulls & plates  
**B**

Flush bolts & coordinators  
**C**

Latches, catches & bolts  
**D**

Stops  
**E**

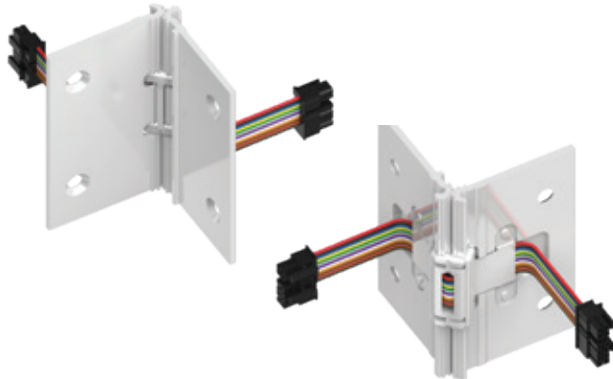
Exterior hardware  
**F**

Miscellaneous hardware  
**G**

## General information - electrification options

### Electric power transfer (EPT) available on HD and XY models

Electric power transfer provides the most secure and best solution for transferring power from the door frame to the edge of a swinging door. Ives Continuous Hinges provide standard cut outs to fit Von Duprin EPT-2, EPT-10 and PNT-1 devices. Consult factory for other electrical cut out options. Door handing is required.

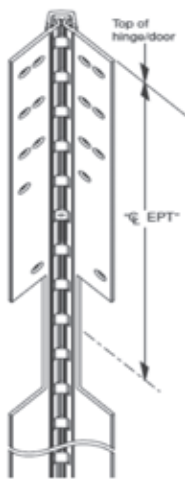


### \*NEW\* Electrical through-wire panel with Allegion Connect (TWP CON) (XY models only)

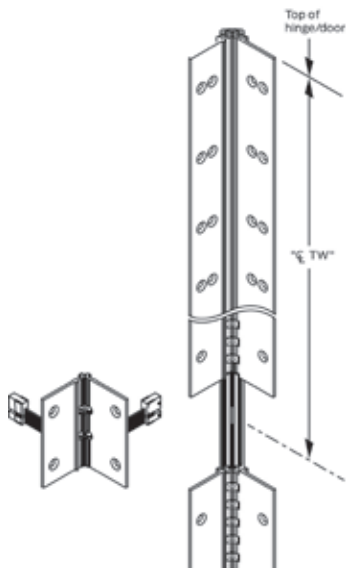
The most secure and best solution for powering your door. The redesigned XY Through-Wire Panel is heavy duty and easy-to-install. Hinge consists of single piece cover design for improved aesthetics and three sections with a standard bottom length and through wire panel location. The panel can quickly slip in and out of the the hinge for maintenance and replacement. Unlike all of the other manufacturer solutions, the XY through-wire panel maintains a one piece appearance on the cover side of the hinge. The new wire design features a teflon coated wire which greatly improves performance and durability. The new panel also comes standard with the Allegion Connect 8-pin Connector which makes it easy to connect to other electrical consumption devices. Warrantied for up to 5 years. Door handing is required.

Provides electric power transfer from the frame to the door in order to supply power to an electrified mortise or cylindrical locks, exit devices with electric latch retraction, and/or electric strikes (pairs of doors). Through-wire is rated 50 volts AC/DC at 3.5 amp continuous and 16 amp pulse. Maximum pulse 400 milliseconds. Ives through-wire hinges are fully compatible with 4 wire and 8 wire installations.

EPT 112HD



TWP XY Series



### Electrical cutouts

Ives aluminum continuous hinges are available with factory modified cutouts to accommodate most electrical frame to door requirements. Special templates are required.

### When ordering indicate the following:

1. Opening size.
2. Handing. LH, RH, LHR or RHR.
3. Manufacturer and model number of the electrical product being used. Example; Von Duprin ETPT2

Because clearances may vary between door and frame manufacturer, and locations can be influenced by the door hardware it is always recommend contacting Ives Customer Technical for specific template information.

Below are standard locations for Von Duprin EPT2 or EPT10, and monitor switch.

In accordance with industry standards, all cutouts are made from top edge of door to center line of cut-out

Note: See ordering guide in price book for proper placement.

Standard Length	HD	XY	XY
	EPT	EPT	TWP CON
83"	30"	30"	43.5"
85"	32"	32"	45.5"
95"	42"	42"	55.5"
119" (XY)	-	66"	79.5"
120" (HD)	67"	-	-

XY TWP CON is located 39.5 inches from bottom of the hinge. Consult factory for TWP locations on custom length hinges.

## How to order

	112XY	HT	US28	83	TWP CON
<b>Model</b>					
026XY	Full mortise - narrow frame leaf, wide door leaf				
027XY	Full mortise - wide door leaf				
040XY	Full mortise - wide throw				
041XY	Full mortise - swing clear				
045XY	Half surface - narrow frame leaf, wide door leaf				
046XY	Half surface - wide door leaf				
053XY	Half surface - narrow frame leaf, narrow door leaf				
054XY	Half surface - narrow door leaf				
112XY	Full mortise - narrow frame and door leaf				
112HD	Full mortise - narrow frame and door leaf				
114XY	Full mortise - narrow frame leaf, door edge protector				
157XY	Full surface - center pivot				
210XY	Full surface - swing clear				
224XY	Full mortise - door edge protector				
224HD	Full mortise - door edge protector				
<b>Option 1</b>					
HT	Hospital tip (XY models only) (Only available on 026XY, 027XY, 040XY, 112XY, 114XY, 224XY )				
<b>Finish</b>					
US28	Clear Anodized Aluminum				
313AN	Dark Bronze Anodized Aluminum				
315AN	Black Anodized Aluminum (XY only)				
Custom finishes available, consult factory.					
<b>Length</b>					
83"					
85"					
95"					
119"(XY) / 120"(HD)					
Custom lengths available up to 119", consult factory. When specifying length, handing required.					
<b>Option 2</b>					
EPT	Electric power transfer prep (Only available on 026XY, 027XY, 112HD, 112XY, 114XY, 224HD, 224XY ) Handing (LH and RH) Required for 026, 027, 114, and 224 models				
TWP CON	Through Wire Panel with Allegion Connect Standard (Only Available on 026XY, 027XY, 112XY, 114XY, 224XY )				
SECHM	Security fasteners - pin-in-socket				
SECWDHM	Security fasteners - pin-in-socket (half wood, half hollow metal)				
SECWDWD	Security fasteners - pin-in-socket (wood door and frame)				
WD	Wood door fasteners				
TEKWD	Half thread forming, half wood				
TF	Thread forming screws (pilot hole required) (Only available with 112HD and 224HD)				
TFWD	Half thread forming, half wood				

Hinges & pivots  
**A21**

Pulls & plates  
**B**

Flush bolts & coordinators  
**C**

Latches, catches & bolts  
**D**

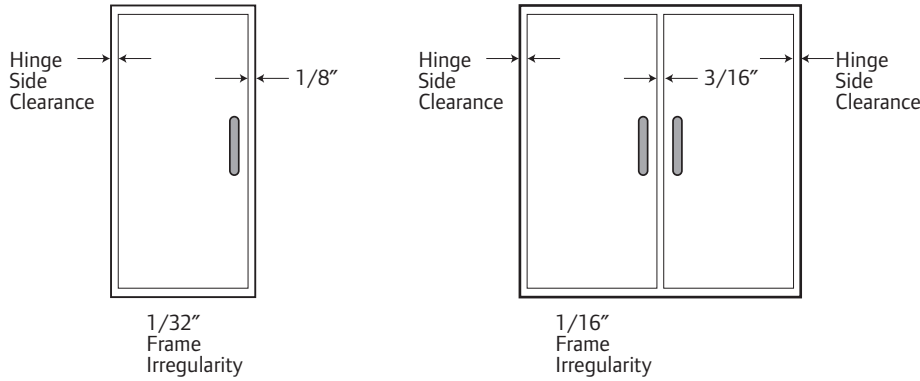
Stops  
**E**

Exterior hardware  
**F**

Miscellaneous hardware  
**G**

## Clearance requirements

Consult your local authority having jurisdiction for specific fire codes relating to fire rated doors. The table below is only recommended for non fire related doors.



### Single door

Model	Hinge-side clearance	Lock-side clearance	Frame irregularity	Beveled door clearance	Door under-sizing	
					Square edged	Beveled edge
026XY	5/16"	1/8"	1/32"	1/32"	15/32"	1/2"
027XY	5/16"	1/8"	1/32"	1/32"	15/32"	1/2"
040XY	5/16"	1/8"	1/32"	1/32"	15/32"	1/2"
041XY	5/16"	1/8"	1/32"	1/32"	15/32"	1/2"
045XY	5/32"	1/8"	1/32"	1/32"	5/16"	11/32"
046XY	5/32"	1/8"	1/32"	1/32"	5/16"	11/32"
053XY	5/32"	1/8"	1/32"	1/32"	5/16"	11/32"
054XY	5/32"	1/8"	1/32"	1/32"	5/16"	11/32"
112HD	5/16"	1/8"	1/32"	1/32"	15/32"	1/2"
112XY	5/16"	1/8"	1/32"	1/32"	15/32"	1/2"
114XY	5/16"	1/8"	1/32"	1/32"	15/32"	1/2"
157XY	1/16"	1/8"	1/32"	1/32"	7/32"	1/4"
210XY	1/16"	1/8"	1/32"	1/32"	7/32"	1/4"
224HD	5/16"	1/8"	1/32"	1/32"	15/32"	1/2"
224XY	5/16"	1/8"	1/32"	1/32"	15/32"	1/2"

### Pair of doors

Model	Hinge-side clearance (2 doors)	Lock-side clearance	Frame irregularity (2 doors)	Beveled door clearance (2 doors)	Door under-sizing			
					Square edge total	Square edge each door	Beveled edge total	Beveled edge each door
026XY	5/8"	3/16"	1/16"	1/16"	7/8"	7/16"	15/16"	15/32"
027XY	5/8"	3/16"	1/16"	1/16"	7/8"	7/16"	15/16"	15/32"
040XY	5/8"	3/16"	1/16"	1/16"	7/8"	7/16"	15/16"	15/32"
041XY	5/8"	3/16"	1/16"	1/16"	7/8"	7/16"	15/16"	15/32"
045XY	5/16"	3/16"	1/16"	1/16"	9/16"	9/32"	5/8"	5/16"
046XY	5/16"	3/16"	1/16"	1/16"	9/16"	9/32"	5/8"	5/16"
053XY	5/16"	3/16"	1/16"	1/16"	9/16"	9/32"	5/8"	5/16"
054XY	5/16"	3/16"	1/16"	1/16"	9/16"	9/32"	5/8"	5/16"
112HD	5/8"	3/16"	1/16"	1/16"	7/8"	7/16"	15/16"	15/32"
112XY	5/8"	3/16"	1/16"	1/16"	7/8"	7/16"	15/16"	15/32"
114XY	5/8"	3/16"	1/16"	1/16"	7/8"	7/16"	15/16"	15/32"
157XY	1/8"	3/16"	1/16"	1/16"	3/8"	3/16"	7/16"	7/32"
210XY	1/8"	3/16"	1/16"	1/16"	3/8"	3/16"	7/16"	7/32"
224HD	5/8"	3/16"	1/16"	1/16"	7/8"	7/16"	15/16"	15/32"
224XY	5/8"	3/16"	1/16"	1/16"	7/8"	7/16"	15/16"	15/32"

Templates and installation instructions available on line at [www.allegion.com/us](http://www.allegion.com/us)



**026XY Full mortise - narrow frame leaf, wide door leaf**

- Wide door leaf for 2" and 2 1/4" doors
- Recommended for gasketing and weatherstripping applications
- Patented center loaded, interlocking bearing design
- Non handed for custom cut lengths
- 3/32" door inset
- 48" Maximum door width
- Beveled or square edge doors
- Frame guidance lip is extended further for retrofit applications to cover existing heavy weight architectural hinge preps.
- For doors weighing up to 450 pounds without reinforcing.
- 600 pounds with reinforcing
- For lead-lined application consult factory for engineering specials

**Certifications**

- Meets ANSI 156.26 for 150lbs and 300lbs
- UL10C certified

**Standard lengths**

- 83", 85", 95", 119"

**Standard mounting hardware**

- 12-24 x 3/4" Steel self drilling / self tapping phillips head screw

**Finishes**

- Clear Anodized (US28), Dark Bronze Anodized (313AN), Black Anodized (315AN)
- Custom anodizing and painting are available, consult factory.

**Options**

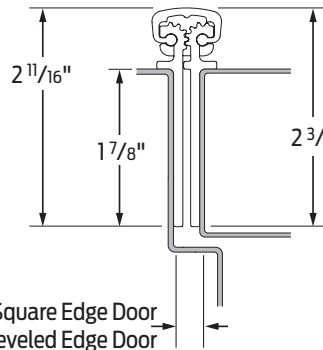
- HT.....Hospital tip
- EPT.....Electric power transfer
- TWP CON.....Electrical through wire panel with Allegion Connect

**Optional mounting hardware:**

- TEKWD.....1/2 Self drill, self tap 1/2 wood
- WD.....Wood door and frame
- SECHM.....Security screws - hollow metal door and frame
- SECWDHM.....Security screws - 1/2 wood, 1/2 hollow metal
- SECWDWD.....Security screws - wood door and frame

**For single door applications:**

For pairs of doors see chart and general information



5/16" Clearance for Square Edge Door  
11/32" Clearance for Beveled Edge Door

Hinges & pivots  
**A23**

Pulls & plates  
**B**

Flush bolts & coordinators  
**C**

Latches, catches & bolts  
**D**

Stops  
**E**

Exterior hardware  
**F**

Miscellaneous hardware  
**G**

<b>A24</b> Hinges & pivots
<b>B</b> Pulls & plates
<b>C</b> Flush bolts & coordinators
<b>D</b> Latches, catches & bolts
<b>E</b> Stops
<b>F</b> Exterior hardware
<b>G</b> Miscellaneous hardware



## 027XY Full mortise - wide door leaf

- Wide door leaf for 2" and 2 1/4" doors
- Recommended for gasketing and weatherstripping applications
- Patented center loaded, interlocking bearing design
- Non handed for custom cut lengths
- Flush mounted, no inset
- 48" Maximum door width
- Beveled or square edge doors
- Frame guidance lip is extended further for retrofit applications to cover existing heavy weight architectural hinge preps
- For doors weighing up to 450 pounds without reinforcing, 600 pounds with reinforcing
- For lead-lined application consult factory for engineering specials

### Certifications

- Meets ANSI 156.26 for 150lbs and 300lbs
- UL10C certified

### Standard lengths

- 83", 85", 95", 119"

### Standard mounting hardware

- 12-24 x 3/4" Steel self drilling / self tapping phillips head screw

### Finishes

- Clear Anodized (US28), Dark Bronze Anodized (313AN), Black Anodized (315AN)
- Custom anodizing and painting are available, consult factory.

### Options:

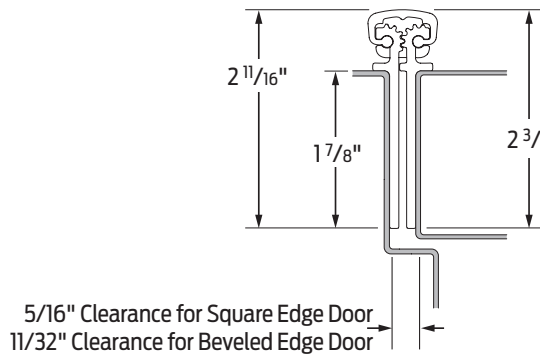
- HT.....Hospital tip
- EPT.....Electric power transfer
- TWP CON.....Electrical through wire panel with allegion connect

### Optional mounting hardware:

- SECHM.....Security screws - hollow metal door and frame
- SECWDHM.....Security screws - 1/2 wood, 1/2 hollow metal
- SECWDWD.....Security screws - wood door and frame
- TEKWD.....1/2 self drill, self tap 1/2 wood
- WD.....Wood door and frame

### For single door applications:

For pairs of doors see chart and general information







**040XY Full mortise - wide throw**

- Wide throw for 1 3/4" doors
- Patented center loaded, interlocking bearing design
- Non handed for custom cut lengths
- Flush mounted, no inset
- 48" Maximum door width
- Beveled or square edge doors
- Frame guidance lip is extended further for retrofit applications to cover existing heavy weight architectural hinge preps
- For doors weighing up to 450 pounds without reinforcing. 600 pounds with reinforcing
- For lead-lined application consult factory for engineering specials

**Certifications**

- Meets ANSI 156.26 for 150lbs and 300lbs
- UL10C certified

**Standard lengths**

- 83", 85", 95", 119"

**Standard mounting hardware**

- 12-24 x 3/4" Steel self drilling / self tapping phillips head screw

**Finishes**

- Clear Anodized (US28), Dark Bronze Anodized (313AN), Black Anodized (315AN)

Custom anodizing and painting are available, consult factory.

**Options:**

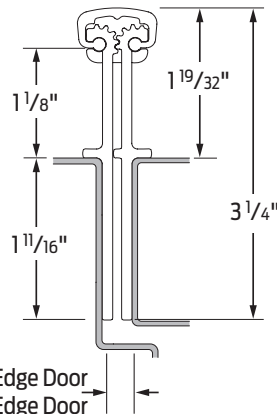
- HT.....Hospital tip

**Optional mounting hardware:**

- SECHM.....Security screws - hollow metal door and frame
- SECWDHM.....Security screws - 1/2 wood, 1/2 hollow metal
- SECWDWD.....Security screws - wood door and frame
- TEKWD.....1/2 self drill, self tap 1/2 wood
- WD.....Wood door and frame

**For single door applications:**

For pairs of doors see chart and general information



5/16" Clearance for Square Edge Door  
11/32" Clearance for Beveled Edge Door

Hinges & pivots  
**A25**

Pulls & plates  
**B**

Flush bolts & coordinators  
**C**

Latches, catches & bolts  
**D**

Stops  
**E**

Exterior hardware  
**F**

Miscellaneous hardware  
**G**

<b>A26</b> Hinges & pivots
<b>B</b> Pulls & plates
<b>C</b> Flush bolts & coordinators
<b>D</b> Latches, catches & bolts
<b>E</b> Stops
<b>F</b> Exterior hardware
<b>G</b> Miscellaneous hardware



## 041XY Full mortise - swing clear

- Swing clear for 1 3/4" doors
- Installs easily on doors with 90° opening
- Door edge protector
- Patented center loaded, interlocking bearing design
- Non handed for custom cut lengths
- 1/16" door inset
- 48" Maximum door width
- Beveled or square edge doors
- For doors weighing up to 450 pounds without reinforcing. 600 pounds with reinforcing
- For lead-lined application consult factory for engineering specials

### Certifications

- Meets ANSI 156.26 for 150lbs and 300lbs
- UL10C certified

### Standard lengths

- 83", 85", 95", 119"

### Standard mounting hardware

- 12-24 x 3/4" Steel self drilling / self tapping phillips head screw

### Finishes

- Clear Anodized (US28), Dark Bronze Anodized (313AN), Black Anodized (315AN)

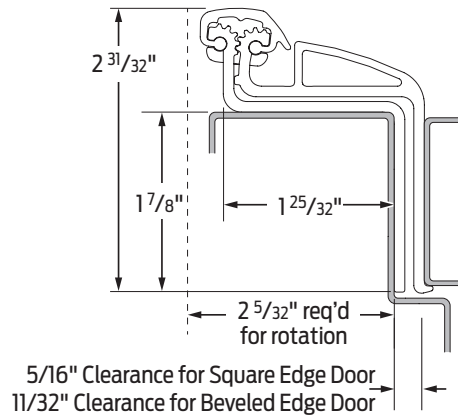
Custom anodizing and painting are available, consult factory.

### Optional mounting hardware:

- SECHM.....Security screws - hollow metal door and frame
- SECWDHM.....Security screws - 1/2 wood, 1/2 hollow metal
- SECWDWD.....Security screws - wood door and frame
- TEKWD.....1/2 self drill, self tap 1/2 wood
- WD.....Wood door and frame

### For single door applications:

For pairs of doors see chart and general information





## 045XY Half surface - narrow frame leaf, wide door leaf

- Half surface for retrofit or new construction
- Frame leaf depth 1-9/16"
- Patented center loaded, interlocking bearing design
- XY (lateral and vertical) adjustability while hanging the door
- Pinch point between cover and door is eliminated
- Non handed for custom cut lengths
- 9/32" door inset
- Frame guidance lip is extended further for retrofit applications to cover existing heavy weight architectural hinge preps
- For doors weighing up to 450 pounds without reinforcing, 600 pounds with reinforcing
- For lead-lined application consult factory for engineering specials

### Certifications

- Meets ANSI 156.26 for 150lbs and 300lbs
- UL10C certified

### Standard lengths

- 83", 85", 95", 119"

### Standard mounting hardware

- 12-24 x 3/4" Steel self drilling / self tapping hex head screw
- 12-24 x 3/4" Steel self drilling / self tapping phillips head screw

### Finishes

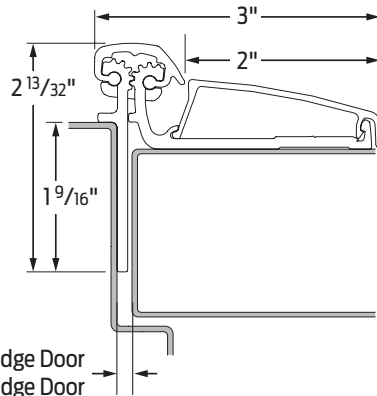
- Clear Anodized (US28), Dark Bronze Anodized (313AN), Black Anodized (315AN)
- Custom anodizing and painting are available, consult factory.

### Optional mounting hardware:

- SECHM.....Security screws - hollow metal door and frame
- SECWDHM.....Security screws - 1/2 wood, 1/2 hollow metal
- SECWDWD.....Security screws - wood door and frame
- TEKWD.....1/2 self drill, self tap 1/2 wood
- WD.....Wood door and frame

### For single door applications:

For pairs of doors see chart and general information



<b>A28</b> Hinges & pivots
<b>B</b> Pulls & plates
<b>C</b> Flush bolts & coordinators
<b>D</b> Latches, catches & bolts
<b>E</b> Stops
<b>F</b> Exterior hardware
<b>G</b> Miscellaneous hardware



## 046XY Half surface - wide door leaf

- Half surface for retrofit or new construction
- Frame leaf depth 1-7/8"
- Patented center loaded, interlocking bearing design
- XY (lateral and vertical) adjustability while hanging the door
- Pinch point between cover and door is eliminated
- Non Handed for custom cut lengths
- 9/32" door inset
- Frame guidance lip is extended further for retrofit applications to cover existing heavy weight architectural hinge preps
- For doors weighing up to 450 pounds without reinforcing, 600 pounds with reinforcing
- For lead-lined application consult factory for engineering specials

### Certifications

- Meets ANSI 156.26 for 150lbs and 300lbs
- UL10C certified

### Standard lengths

- 83", 85", 95", 119"

### Standard mounting hardware

- 12-24 x 3/4" Steel self drilling / self tapping hex head screw
- 12-24 x 3/4" Steel self drilling / self tapping phillips head screw

### Finishes

- Clear Anodized (US28), Dark Bronze Anodized (313AN), Black Anodized (315AN)

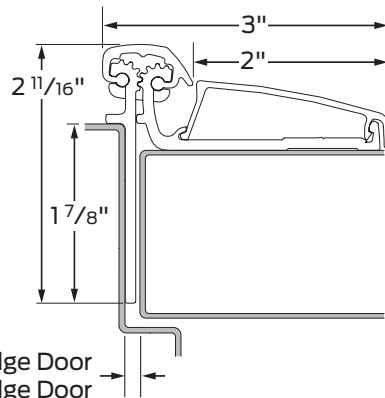
Custom anodizing and painting are available, consult factory.

### Optional mounting hardware:

- SECHM.....Security screws - hollow metal door and frame
- SECWDHM.....Security screws - 1/2 wood, 1/2 hollow metal
- SECWDWD.....Security screws - wood door and frame
- TEKWD.....1/2 self drill, self tap 1/2 wood
- WD.....Wood door and frame

### For single door applications:

For pairs of doors see chart and general information



5/32" Clearance for Square Edge Door  
3/16" Clearance for Beveled Edge Door



**053XY Half surface - narrow frame leaf, narrow door leaf**

- Half surface for retrofit or new construction
- Frame leaf depth 1-9/16"
- Recommended for gasketing and weatherstripping applications
- Patented center loaded, interlocking bearing design
- XY (lateral and vertical) adjustability while hanging the door
- Pinch point between cover and door is eliminated
- Non handed for custom cut lengths
- 1/8" door inset
- Frame guidance lip is extended further for retrofit applications to cover existing heavy weight architectural hinge preps
- For doors weighing up to 450 pounds without reinforcing, 600 pounds with reinforcing
- For lead-lined application consult factory for engineering specials

**Certifications**

- Meets ANSI 156.26 for 150lbs and 300lbs
- UL10C certified

**Standard lengths**

- 83", 85", 95", 119"

**Standard mounting hardware**

- 12-24 x 3/4" Steel self drilling / self tapping hex head screw
- 12-24 x 3/4" Steel self drilling / self tapping phillips head screw

**Finishes**

- Clear Anodized (US28), Dark Bronze Anodized (313AN)
- Custom Anodizing and Painting are available, consult factory

**Finishes**

- Clear Anodized (US28), Dark Bronze Anodized (313AN), Black Anodized (315AN)

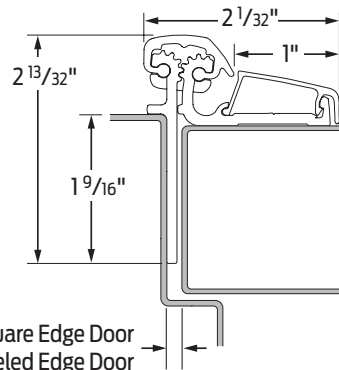
Custom anodizing and painting are available, consult factory.

**Optional mounting hardware:**

- SECHM.....Security screws - hollow metal door and frame
- SECWDHM.....Security screws - 1/2 wood, 1/2 hollow metal
- SECWDWD.....Security screws - wood door and frame
- TEKWD.....1/2 self drill, self tap 1/2 wood
- WD.....Wood door and frame

**For single door applications:**

For pairs of doors see chart and general information



5/32" Clearance for Square Edge Door  
3/16" Clearance for Beveled Edge Door

Hinges & pivots  
**A29**

Pulls & plates  
**B**

Flush bolts & coordinators  
**C**

Latches, catches & bolts  
**D**

Stops  
**E**

Exterior hardware  
**F**

Miscellaneous hardware  
**G**

<b>A30</b> Hinges & pivots
<b>B</b> Pulls & plates
<b>C</b> Flush bolts & coordinators
<b>D</b> Latches, catches & bolts
<b>E</b> Stops
<b>F</b> Exterior hardware
<b>G</b> Miscellaneous hardware



## 054XY Half surface - narrow door leaf

- Half surface for retrofit or new construction
- Frame leaf depth 1-7/8"
- Recommended for gasketing and weatherstripping applications
- Patented center loaded, interlocking bearing design
- XY (lateral and vertical) adjustability while hanging the door
- Pinch point between cover and door is eliminated
- Non Handed for custom cut lengths
- 1/8" door inset
- Frame guidance lip is extended further for retrofit applications to cover existing heavy weight architectural hinge preps
- For doors weighing up to 450 pounds without reinforcing, 600 pounds with reinforcing
- For lead-lined application consult factory for engineering specials

### Certifications

- Meets ANSI 156.26 for 150lbs and 300lbs
- UL10C certified

### Standard lengths

- 83", 85", 95", 119"

### Standard mounting hardware

- 12-24 x 3/4" Steel self drilling / self tapping hex head screw
- 12-24 x 3/4" Steel self drilling / self tapping phillips head screw

### Finishes

- Clear Anodized (US28), Dark Bronze Anodized (313AN), Black Anodized (315AN)

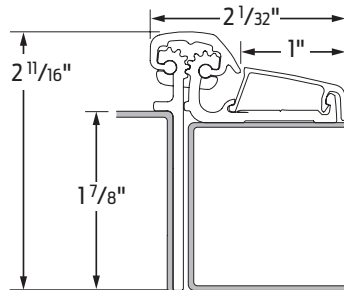
Custom anodizing and painting are available, consult factory.

### Optional mounting hardware:

- SECHM.....Security screws - hollow metal door and frame
- SECWDHM.....Security screws - 1/2 wood, 1/2 hollow metal
- SECWDWD.....Security screws - wood door and frame
- TEKWD.....1/2 self drill, self tap 1/2 wood
- WD.....Wood door and frame

### For single door applications:

For pairs of doors see chart and general information



5/32" Clearance for Square Edge Door  
3/16" Clearance for Beveled Edge Door



**112HD Full mortise - narrow frame and door leaf**

- For 1 3/4" doors
- Spread bearing design
- Non Handed for custom cut lengths
- Flush mounted, no inset
- 48" Maximum door width
- Beveled or square edge doors
- For doors weighing up to 450 pounds without reinforcing, 600 pounds with reinforcing

**Certifications**

- Meets ANSI 156.26 for 150lbs
- UL10C certified

**Standard lengths**

- 83", 85", 95", 120"

**Standard Mounting Hardware**

- 12-24 x 3/4" Steel self drilling / self tapping phillips head screw

**Finishes**

- Clear Anodized (US28), Dark Bronze Anodized (313AN)

Custom anodizing and painting are available, consult factory.

**Options:**

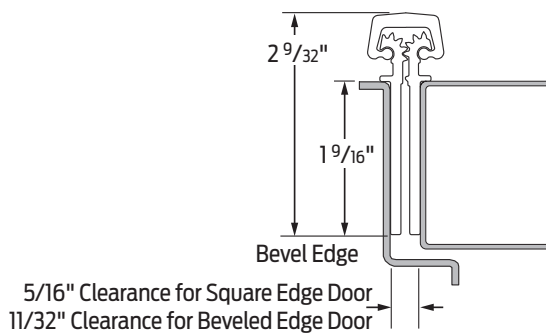
- EPT .....Electric power transfer

**Optional mounting hardware:**

- SECHM.....Security screws - hollow metal door and frame
- SECWDHM.....Security screws - 1/2 wood, 1/2 hollow metal
- SECWDWD .....Security screws - wood door and frame
- TF .....Thread forming screws
- TEKWD .....1/2 self drill, self tap 1/2 wood
- WD.....Wood door and frame

**For single door applications:**

For pairs of doors see chart and general information



<b>A32</b> Hinges & pivots
<b>B</b> Pulls & plates
<b>C</b> Flush bolts & coordinators
<b>D</b> Latches, catches & bolts
<b>E</b> Stops
<b>F</b> Exterior hardware
<b>G</b> Miscellaneous hardware



## 112XY Full mortise - narrow frame and door leaf

- For 1 3/4" doors
- Patented center loaded, interlocking bearing design
- Non Handed for custom cut lengths
- Flush mounted, no inset
- 48" Maximum door width
- Beveled or square edge doors
- Frame guidance lip is extended further for retrofit applications to cover existing heavy weight architectural hinge preps
- For doors weighing up to 450 pounds without reinforcing, 600 pounds with reinforcing
- For lead-lined application consult factory for engineering specials

### Certifications

- Meets ANSI 156.26 for 150lbs and 300lbs
- UL10C certified

### Standard lengths

- 83", 85", 95", 119"

### Standard mounting hardware

- 12-24 x 3/4" Steel self drilling / self tapping phillips head screw

### Finishes

- Clear Anodized (US28), Dark Bronze Anodized (313AN), Black Anodized (315AN)

Custom anodizing and painting are available, consult factory.

### Options:

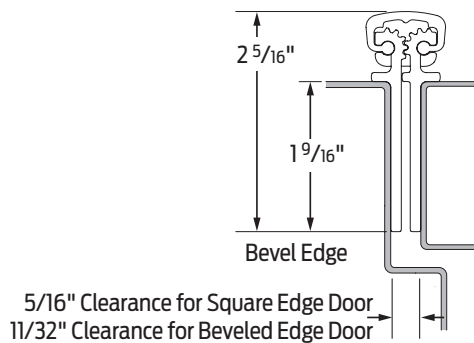
- HT.....Hospital tip
- EPT .....Electric power transfer
- TWP CON.....Electrical through wire panel with Allegion Connect

### Optional mounting hardware:

- SECHM.....Security screws - hollow metal door and frame
- SECWDHM.....Security screws - 1/2 wood, 1/2 hollow metal
- SECWDWD.....Security screws - wood door and frame
- TEKWD .....1/2 self drill, self tap 1/2 wood
- WD.....Wood door and frame

### For single door applications:

For pairs of doors see chart and general information







**114XY Full mortise - narrow frame leaf, door edge protector**

- For 1 3/4" doors
- Door edge protector
- Recommended for gasketing and weatherstripping applications
- Patented center loaded, interlocking bearing design
- Non Handed for custom cut lengths
- 1/16" door inset
- 48" Maximum door width
- Beveled or square edge doors
- Frame guidance lip is extended further for retrofit applications to cover existing heavy weight architectural hinge preps
- For doors weighing up to 450 pounds without reinforcing, 600 pounds with reinforcing
- For lead-lined application consult factory for engineering specials

**Certifications**

- Meets ANSI 156.26 for 150lbs and 300lbs
- UL10C certified

**Standard lengths**

- 83", 85", 95", 119"

**Standard mounting hardware**

- 12-24 x 3/4" Steel self drilling / self tapping phillips head screw

**Finishes**

- Clear Anodized (US28), Dark Bronze Anodized (313AN), Black Anodized (315AN)
- Custom anodizing and painting are available, consult factory.

**Options:**

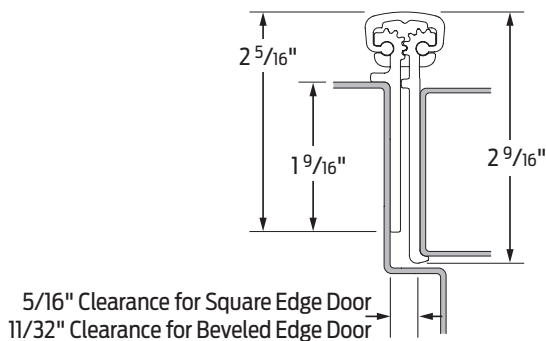
- HT.....Hospital tip
- EPT.....Electric power transfer
- TWP CON.....Electrical through wire panel with Allegion Connect

**Optional mounting hardware:**

- SECHM.....Security screws - hollow metal door and frame
- SECWDHM.....Security screws - 1/2 wood, 1/2 hollow metal
- SECWDWD.....Security screws - wood door and frame
- TEKWD.....1/2 self drill, self tap 1/2 wood
- WD.....Wood door and frame

**For single door applications:**

For pairs of doors see chart and general information



<b>A34</b> Hinges & pivots
<b>B</b> Pulls & plates
<b>C</b> Flush bolts & coordinators
<b>D</b> Latches, catches & bolts
<b>E</b> Stops
<b>F</b> Exterior hardware
<b>G</b> Miscellaneous hardware



## 157XY Full surface

- A patented easy-to-install, heavy duty, full surface continuous hinge
- Narrow Frame
- Patented center loaded, interlocking bearing design
- XY (lateral and vertical) adjustability while hanging the door
- Articulating cover design eliminates pinch point between center channel cover and door and frame leaf covers
- Non Handed for custom cut lengths
- 1/16" door inset
- 48" Maximum door width
- Beveled or square edge doors
- For doors weighing up to 550 lbs
- For lead-lined application consult factory for engineering specials

### Certifications

- Meets ANSI 156.26 for 150lbs and 300lbs
- UL10C certified

### Standard lengths

- 83", 95", 119"

### Standard mounting hardware

- 12-24 x 1/2" Steel self drilling / self tapping hex head screw

### Finishes

- Clear Anodized (US28), Dark Bronze Anodized (313AN), Black Anodized (315AN)
- Custom anodizing and painting are available, consult factory.

### Options:

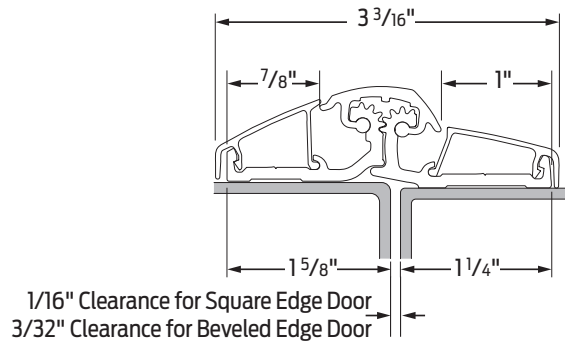
- HT.....Hospital tip
- EPT.....Electric power transfer
- TWP CON.....Electrical through wire panel with Allegion Connect

### Optional mounting hardware:

- TEKWD.....1/2 self drill, self tap 1/2 wood
- WD.....Wood door and frame

### For single door applications:

For pairs of doors see chart and general information





**210XY Full surface - swing clear**

- Patented center loaded, interlocking bearing design
- XY (lateral and vertical) adjustability while hanging the door
- Articulating cover design eliminates pinch point between center channel cover and door and frame leaf covers
- Non handed for custom cut lengths
- 1/32" door inset
- 48" Maximum door width
- Beveled or square edge doors
- For doors weighing up to 550 pounds
- For lead-lined application consult factory for engineering specials

**Certifications**

- Meets ANSI 156.26 for 150lbs and 300lbs
- UL10C certified

**Standard lengths**

- 83", 85", 95", 119"

**Standard mounting hardware**

- 12-24 x 3/4" Steel self drilling / self tapping hex head screw
- 12-24 x 3/4" Steel self drilling / self tapping phillips head screw

**Finishes**

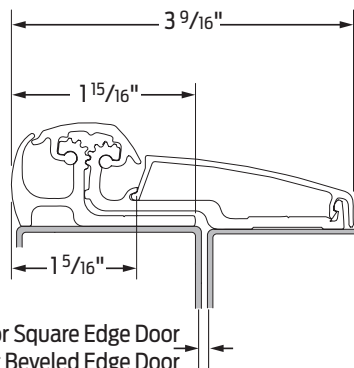
- Clear Anodized (US28), Dark Bronze Anodized (313AN), Black Anodized (315AN)
- Custom anodizing and painting are available, consult factory.

**Optional mounting hardware:**

- SECHM. . . . . Security screws - hollow metal door and frame
- SECWDHM. . . . . Security screws - 1/2 wood, 1/2 hollow metal
- SECWDWD . . . . . Security screws - wood door and frame
- TEKWD . . . . . 1/2 self drill, self tap 1/2 wood
- WD. . . . . Wood door and frame

**For single door applications:**

For pairs of doors see chart and general information



1/16" Clearance for Square Edge Door  
3/32" Clearance for Beveled Edge Door

<b>A36</b> Hinges & pivots
<b>B</b> Pulls & plates
<b>C</b> Flush bolts & coordinators
<b>D</b> Latches, catches & bolts
<b>E</b> Stops
<b>F</b> Exterior hardware
<b>G</b> Miscellaneous hardware



## 224HD Full mortise - door edge protector

- For 1 3/4" doors
- Door edge protector
- Spread bearing design
- Non handed for custom cut lengths
- 1/16" Door Inset
- 48" Maximum door width
- Beveled or square edge doors
- For doors weighing up to 450 pounds without reinforcing, 600 pounds with reinforcing

### Certifications

- Meets ANSI 156.26 for 150lbs
- UL10C certified

### Standard lengths

- 83", 85", 95", 120"

### Standard mounting hardware

- 12-24 x 3/4" Steel self drilling / self tapping phillips head screw

### Finishes

- Clear Anodized (US28), Dark Bronze Anodized (313AN)

Custom anodizing and painting are available, consult factory.

### Options:

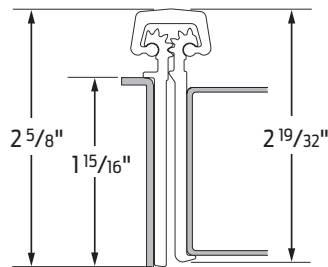
- EPT .....Electric power transfer

### Optional mounting hardware:

- SECHM.....Security screws - hollow metal door and frame
- SECWDHM.....Security screws - 1/2 wood, 1/2 hollow metal
- SECWDWD.....Security screws - wood door and frame
- TF.....Thread forming screws
- TEKWD.....1/2 self drill, self tap 1/2 wood
- WD.....Wood door and frame

### For single door applications:

For pairs of doors see chart and general information



5/16" Clearance for Square Edge Door  
11/32" Clearance for Beveled Edge Door



## 224XY Full mortise - door edge protector

- For 1 3/4" doors
- Door edge protector
- Patented center loaded, interlocking bearing design
- Non Handed for custom cut lengths
- 1/16" door inset
- 48" Maximum door width
- Beveled or square edge doors
- Frame guidance lip is extended further for retrofit applications to cover existing heavy weight architectural hinge preps
- For doors weighing up to 450 pounds without reinforcing, 600 pounds with reinforcing
- For lead-lined application consult factory for engineering specials

### Certifications

- Meets ANSI 156.26 for 150lbs and 300lbs
- UL10C certified

### Standard lengths

- 83", 85", 95", 119"

### Standard mounting hardware

- 12-24 x 3/4" Steel self drilling / self tapping phillips head screw

### Finishes

- Clear Anodized (US28), Dark Bronze Anodized (313AN), Black Anodized (315AN)
- Custom anodizing and painting are available, consult factory.

### Options:

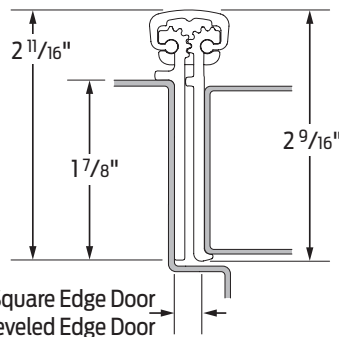
- HT.....Hospital tip
- EPT.....Electric power transfer
- TWP CON.....Electrical through wire panel with Allegion Connect

### Optional mounting hardware:

- SECHM.....Security screws - hollow metal door and frame
- SECWDHM.....Security screws - 1/2 wood, 1/2 hollow metal
- SECWDWD.....Security screws - wood door and frame
- TEKWD.....1/2 self drill, self tap 1/2 wood
- WD.....Wood door and frame

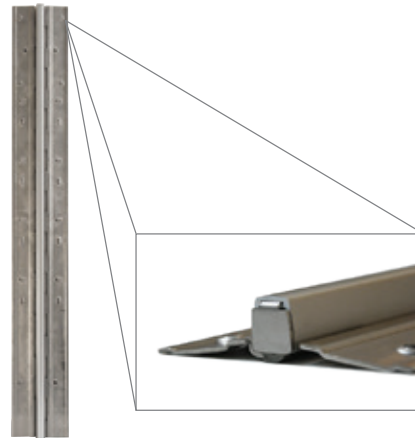
### For single door applications:

For pairs of doors see chart and general information



5/16" Clearance for Square Edge Door  
11/32" Clearance for Beveled Edge Door

## General hinge information



### Certifications

- 600 and 700 Series meets ANSI 156.26, Grade 1
- HD Models, Grade 1, 150lb door test
- CS Series models certified ANSI 156.26, Grade 1, 150lb door test

### UL Listed

- All Ives pin and barrel hinges are tested and approved UL 10C (3 hr).

### Material

- 600 Series 1012 Series, 14 Gauge cold-rolled steel
- 700, 702, 705, 711, 715 Series 304 Series, 14 Gauge stainless steel
- CS Series 304 Series, 14 Gauge stainless steel body and 6063-T6 aluminum cover

### Barrel Type

#### Standard series

The standard series pin and barrel continuous hinges features twin self lubricated nylon bearings with a stainless steel pin.

#### CS Series

The CS Series is a heavy duty, easy-to-install, stainless steel pin and barrel continuous hinge that can be used for fire applications and is highly suitable for after-market or new construction situations. The patented covers hide the unsightly pin and barrel of the standard pin and barrel hinges, giving the CS Series continuous hinge a stylish appearance to accompany heavy duty performance.

The CS Series includes medical grade, patented nylon winged bearings. They also include the XY adjustability feature which allows for better door alignment during installation.

### Standard lengths

- 83", 85", 95", 120"
- Custom lengths available up to 120", consult factory.
- Handing required for 702, 705, 711, 715.

### Finishes

BHMA	Description	Substrate	Finish
<b>600 Series</b>			
600	Grey primer paint	Steel	USP
<b>700, 702, 705, 711, 715 Series</b>			
630	Satin stainless steel	Stainless steel	US32D
<b>700CS, 705CS, 711CS Series</b>			
441	Satin stainless anodized	Aluminum	US32DAN
600	Grey primer paint	Aluminum	USP
628	Clear aluminum anodized	Aluminum	US28
688	Satin brass anodized	Aluminum	US4AN
709	Satin bronze anodized	Aluminum	US10AN
710	Dark bronze anodized	Aluminum	313AN
711	Black anodized	Aluminum	315AN
712	Bright chrome anodized	Aluminum	US26AN
713	Satin chrome anodized	Aluminum	US26DAN

Custom finishes available, consult factory.

### Field modifications

Ives pin and barrel continuous hinges can be cut to length during installation.

#### Standard models

The unique mounting pattern allows to cut up to 6" from bottom while still having double row fasteners. If cut more than 13.5", other modifications may be necessary.

#### CS Models

The unique mounting pattern of the XY hinge allows it to be cut down to 69" while still having double row fasteners regardless of the original length of the hinge.

Example: A 119" hinge can have 25" removed from each end to make it a 69" long hinge.

### Door weight

For doors up to 200 lbs, no door reinforcement is required. For doors between 200 and 300 lbs, a 16 gauge channel in the frame is required. For doors up to 600 lb (max door width of 4'0"), rivet nuts are required in the frame in addition to the frame reinforcement.

### Hospital tips (HT) for standard models.

The standard hospital tip option includes an angle machined channel cover and bearing to provide a flush angled surface.

## Mounting hardware

### Standard Hardware

600/602/611/700/702/705/711/715	10 x 1/2" Stainless self drilling / self tapping phillips head screw
	10 x 1" Stainless phillips head wood screw ( 1/2 pkg for door or frame)
700CS/711CS/715CS	12-24 x 3/4" Stainless self drilling / self tapping phillips head screw

### Security screws - hollow metal door and frame (SECHM)

600/700/602/702/705/611/711/715	10 X 1/2" Stainless steel Torx security screw
700CS/711CS/715CS	12-24 x 1/2" Stainless security head machine screw

### Security screws - 1/2 wood, 1/2 hollow metal (SECWDHM)

600/700/602/702/705/611/711/715	10 X 1/2" Stainless steel Torx security screw
	10 x 1" Stainless Torx security wood screw

### Security screws - 1/2 wood, 1/2 hollow metal (SECWDWD)

600/700/602/702/705/611/711/715	10 x 1" Stainless Torx security wood screw
---------------------------------	--

### Wood door and frame (WD)

600/602/611/700/702/705/711/715	10 x 1" Stainless phillips head wood screw
700CS/711CS/715CS	#12 x 1 1/4" Stainless sheet metal screw

A39  
Hinges & pivots

B  
Pulls & plates

C  
Flush bolts & coordinators

D  
Latches, catches & bolts

E  
Stops

F  
Exterior hardware

G  
Miscellaneous hardware

## General information - electrification options

Only available for the full mortise hinges

### Electric power transfer (EPT) available on 600, 700, 705, 715, 700CS, 715CS models

Electric power transfer provides the most secure and best solution for transferring power from the door frame to the edge of a swinging door. Ives Pin and Barrel Hinges provide standard cut outs to fit Von Duprin EPT- 2, EPT-10 and PNT-1 devices. Consult factory for other electrical cut out options. Door handing is required.

### Electrical through-wire (TW8) for standard models (600, 700, 705, 715) only

Recommended for low frequency usage. Provides electric power transfer from the frame to the door cable in order to supply power to an electrified mortise or cylindrical locks, exit devices with electric latch retraction, and/or electric strikes (pairs of doors). Through-wire is rated 50 volts AC/DC at 3.5 amp continuous and 16 amp pulse. Maximum pulse 400 milliseconds. Ives through-wire hinges are fully compatible with 4 wire and 8 wire installations. Requires the door to be torn down for maintenance. Available CON option comes with the Allegion Connect 8-pin Connector which makes it easy to connect to other electrical consumption devices.

### Electrical through-wire panel with Allegion Connect (TWP) (700CS models only)

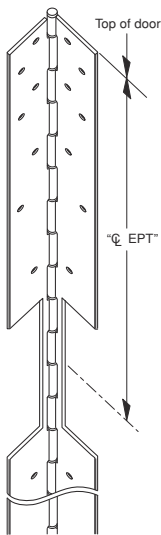
The thru-wire panel solution works in the CS mortise hinge to maintain the clean aesthetic design of aluminum geared continuous hinges. Made with the same medical grade bearings of Ives other pin and barrel hinges, the CS Series brings thru-wire panel innovation to your continuous hinge application while keeping its great looks.

The CS Series thru-wire panel is a heavy duty, easy-to-install, stainless steel panel. Tested to 2.5 million cycles, the CS Series panel can quickly slip in and out of the hinge for maintenance and replacement.

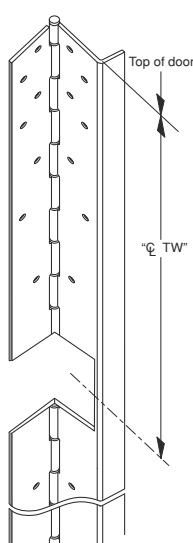
Unlike all of the other manufacturer solutions the CS Series thru-wire panel maintains a one piece appearance on the cover side of the hinge. It installs with the same 5/16" clearance as aluminum geared hinges and works in all of the decorative cover finishes.

Provides electric power transfer from the frame to the door in order to supply power to an electrified mortise or cylindrical locks, exit devices with electric latch retraction, and/or electric strikes (pairs of doors). Thru-wire panel is rated 50 volts AC/DC at 3.5 amp continuous and 16 amp pulse. Maximum pulse 400 milliseconds. Ives through-wire hinges are fully compatible with 4 wire and 8 wire installations. Available CON option comes with the Allegion Connect 8-pin Connector which makes it easy to connect to other electrical consumption devices.

EPT 600/700/  
700CS



TW8 600/700s



Note: See ordering guide in price book for proper placement.

Standard Length	EPT	TW	TWP
83"	30"	43-19/32"	43-13/16"
85"	32"	45-17/32"	44-29/32"
95"	42"	55-17/32"	55-9/32"
120"	67"	80-17/32"	79-1/2"

### Electrical Cutouts

Ives Pin & Barrel Continuous Hinges are available with factory modified cutouts to accommodate most electrical frame to door requirements. Special templates are required.

### When ordering indicate the following:

1. Opening size.
2. Handing, LH, RH, LHR or RHR.
3. Manufacturer and model number of the electrical product being used. Example; Von Duprin ETPT2

Because clearances may vary between door and frame manufacturer, and locations can be influenced by the door hardware it is always recommend contacting Ives Customer Technical for specific template information.

For your general information following are standard locations for Von Duprin EPT2 or EPT10, and TW (through wire).

In accordance with industry standards, all cutouts are made from Top Edge of Door to Center Line of Cut-out.



## How to order

	700	HT	US32D	83	TW8 CON
<b>Model</b>					
<b>Stainless steel</b>					
700/700CS	Full Mortise				
702	Full Surface - Center Pivot				
705	Full mortise - full wrap				
711/711CS	Full surface - swing clear				
715/715CS	Full mortise - half wrap				
<b>Steel</b>					
600	Full mortise				
602	Full surface - center pivot				
611	Full surface - swing clear				
<b>Option 1</b>					
HT	Hospital tip (600 and 700 series only)				
<b>Finish</b>					
<b>Stainless steel - only available on 700 Series</b>					
US32D	Satin stainless steel				
<b>Stainless steel / aluminum - only available on CS Series</b>					
US32DAN	Satin stainless anodized				
USP	Grey primer paint				
US28	Clear aluminum anodized				
US4AN	Satin brass anodized				
US10AN	Satin bronze anodized				
313AN	Dark bronze anodized				
315AN	Black anodized				
US26AN	Bright chrome anodized				
US26DAN	Satin chrome anodized				
<b>Steel - only available on 600 Series</b>					
600	Grey primer paint				
<b>Length</b>					
83"					
85"					
95"					
120"					
Other lengths available up to 120", consult factory. Handing is required.					
<b>Option 2</b>					
EPT	Electric power transfer prep (600, 700, 705, 715, 700CS, 715CS models only) Handing (LH and RH) required for 026, 027, 114, and 224 models				
TWP	Through wire panel (only available on 700CS)				
TW8	Electric through Wire (600, 700, 705, 715 models only)				
CON	Allegion Connect (600, 700, 705, 715, 700CS models only)				
SECHM	Security fasteners - Torx				
SECWDHM	Security fasteners - Torx (half wood, half hollow metal)				
SECWDWD	Security fasteners - Torx (wood door and frame)				
WD	Wood door fasteners				

Hinges & pivots  
**A41**

Pulls & plates  
**B**

Flush bolts & coordinators  
**C**

Latches, catches & bolts  
**D**

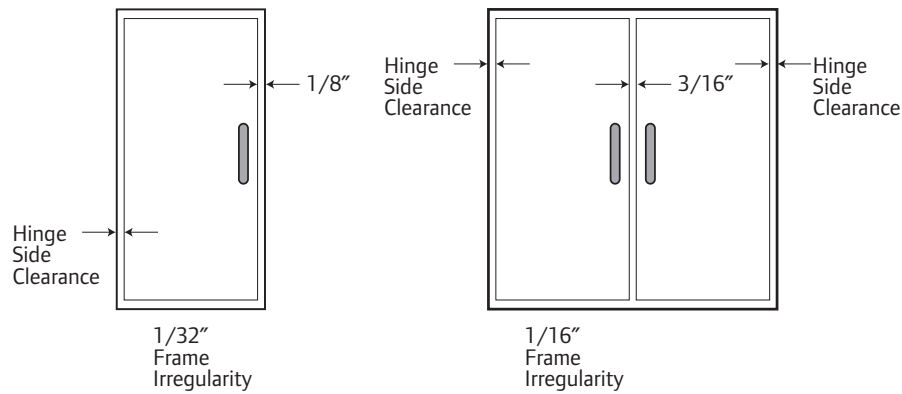
Stops  
**E**

Exterior hardware  
**F**

Miscellaneous hardware  
**G**

## Clearance requirements

Consult your local authority having jurisdiction for specific fire codes relating to fire rated doors. The table below is only recommended for non fire related doors.



### Single door

Model	Hinge-side clearance	Lock-side clearance	Frame irregularity	Beveled door clearance	Door under-sizing	
					Square edged	Beveled edged
600	1/4"	1/8"	1/32"	1/32"	13/32"	7/16"
602	1/8"	1/8"	1/32"	1/32"	9/32"	5/16"
700	1/4"	1/8"	1/32"	1/32"	13/32"	7/16"
700CS	5/16"	1/8"	1/32"	1/32"	15/32"	1/2"
702	1/8"	1/8"	1/32"	1/32"	9/32"	5/16"
705	3/8"	1/8"	1/32"	1/32"	17/32"	9/16"
705*	1/2"	1/8"	1/32"	1/32"	21/32"	11/16"
711	7/32"	1/8"	1/32"	1/32"	3/8"	13/32"
711CS	3/8"	1/8"	1/32"	1/32"	17/32"	9/16"
715	1/4"	1/8"	1/32"	1/32"	13/32"	7/16"
715CS	5/16"	1/8"	1/32"	1/32"	15/32"	1/2"

\* Use the Adjusta-Studs with 705

### Pair of doors

Model	Hinge-side clearance	Lock-side clearance	Frame irregularity	Beveled door clearance	Door under-sizing			
					Square edge total	Square edge each door	Beveled edge total	Beveled edge each door
600	1/4"	3/16"	1/16"	1/16"	3/4"	3/8"	13/16"	13/32"
602	1/8"	3/16"	1/16"	1/16"	1/2"	1/4"	9/16"	9/32"
700	1/4"	3/16"	1/16"	1/16"	3/4"	3/8"	13/16"	13/32"
700CS	5/16"	3/16"	1/16"	1/16"	7/8"	7/16"	15/16"	15/32"
702	1/8"	3/16"	1/16"	1/16"	1/2"	1/4"	9/16"	9/32"
705	3/8"	3/16"	1/16"	1/16"	1"	1/2"	1-1/16"	17/32"
705*	1/2"	3/16"	1/16"	1/16"	1-1/4"	5/8"	1-5/16"	21/32"
711	7/32"	3/16"	1/16"	1/16"	11/16"	11/32"	3/4"	3/8"
711CS	3/8"	3/16"	1/16"	1/16"	1"	1/2"	1-1/16"	17/32"
715	1/4"	3/16"	1/16"	1/16"	3/4"	3/8"	13/16"	13/32"
715CS	5/16"	3/16"	1/16"	1/16"	7/8"	7/16"	15/16"	15/32"

\* Use the Adjusta-Studs with 705



**600 Full mortise pin and barrel continuous hinge - steel**

**700 Full mortise pin and barrel continuous hinge - stainless steel**

- 1/4" diameter pin with nylon self-lubricating, medical grade split bearing
- For doors weighing up to 300 pounds without reinforcing. 600 pounds with reinforcing
- 1/8" Inset recommended for 1 3/4" doors
- 48" Maximum door width
- Non handed for custom cut lengths
- Bevel or square edge door

**Certifications**

- Meets ANSI 156.26
- UL10C certified

**Standard lengths**

- 83", 85", 95", 120"

**Standard mounting hardware**

- #10 X 1/2" Self Drilling, Self Tapping Screws
- #10 X 1" Wood Screws

**Material**

- 600 - 1012 Cold-rolled steel
- 700 - 14 Gauge Type 304 stainless steel

**Finishes**

BHMA	Description	Substrate	Finish
600	Grey primer paint	Steel	USP
630	Satin stainless steel	Stainless steel	US32D

*Custom paint available on 600 series, consult factory.*

**Options**

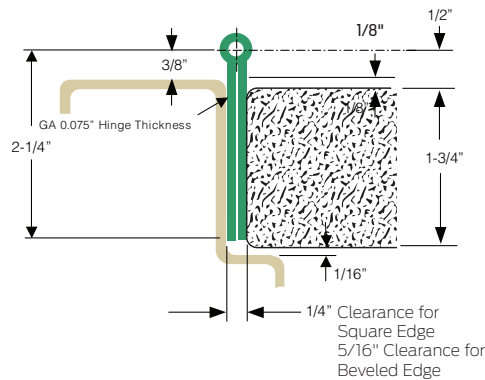
- HT.....Hospital tip
- EPT.....Electric power transfer
- TW8.....Electrical through wire
- CON.....Allegion Connect

**Optional mounting hardware**

- SECHM.....Security screws - hollow metal door and frame
- SECWDHM.....Security screws - 1/2 wood, 1/2 hollow metal
- SECWDWD.....Security screws - wood door and frame
- WD.....Wood door and frame

**For single door applications:**

For pairs of doors see chart and general information



Hinges & pivots  
**A43**

Pulls & plates  
**B**

Flush bolts & coordinators  
**C**

Latches, catches & bolts  
**D**

Stops  
**E**

Exterior hardware  
**F**

Miscellaneous hardware  
**G**



## 700CS Full mortise pin and barrel continuous hinge w/ decorative cover

- Patented cover protects hinge knuckle and creates a cleaner and neater appearance
- XY adjustability feature allows for better door alignment during installation
- Patented, medical grade, nylon winged bearings
- For doors weighing up to 300 pounds without reinforcing. 600 pounds with reinforcing
- 1/16" door inset
- 48" Maximum door width
- Non handed
- Bevel or square edge door

### Certifications

- Meets ANSI 156.26
- UL10C certified

### Standard lengths

- 83", 85", 95", 120"

### Standard mounting hardware

- 12-24 X 3/4" Self drilling, self tapping screws

### Material

- 14 Gauge Type 304 stainless steel

### Finishes

BHMA	Description	Substrate	Finish
441	Satin stainless anodized	Aluminum/Steel	US32DAN
600	Grey primer paint	Aluminum/Steel	USP
628	Clear aluminum anodized	Aluminum/Steel	US28
688	Satin brass anodized	Aluminum/Steel	US4AN
709	Satin bronze anodized	Aluminum/Steel	US10AN
710	Dark bronze anodized	Aluminum/Steel	313AN
711	Black anodized	Aluminum/Steel	315AN
712	Bright chrome anodized	Aluminum/Steel	US26AN
713	Satin chrome anodized	Aluminum/Steel	US26DAN

*Custom paint available, consult factory. Standard custom paint is on cover only. Specify if paint on whole hinge is needed.*

### Options

- HT.....Hospital tip
- EPT.....Electric power transfer
- TW8.....Electrical through wire
- CON.....Allegion Connect

### Optional mounting hardware

- SECHM.....Security screws - hollow metal door and frame
- WD.....Wood door and frame

### For single door applications:

For pairs of doors see chart and general information



**602 Full surface pin and barrel continuous hinge - steel**

**702 Full surface pin and barrel continuous hinge - stainless steel**

- 1/4" diameter pin with nylon self-lubricating, medical grade split bearing
- For doors weighing up to 300 pounds without reinforcing. 600 pounds with reinforcing
- Flush mounted, no inset
- 48" Maximum door width
- Non handed for custom cut lengths
- Bevel or square edge door

**Certifications**

- Meets ANSI 156.26
- UL10C certified

**Standard lengths**

- 83", 85", 95", 120"

**Standard mounting hardware**

- #10 X 1/2" Self drilling, self tapping screws
- #10 X 1" Wood screws
- Cover clips

**Material**

- 602 - 1012 Cold-rolled steel
- 702 - 14 Gauge Type 304 stainless steel

**Finishes**

BHMA	Description	Substrate	Finish
600	Grey primer paint	Steel	USP
630	Satin stainless steel	Stainless steel	US32D

*Custom paint available on 600 series, consult factory.*

**Options**

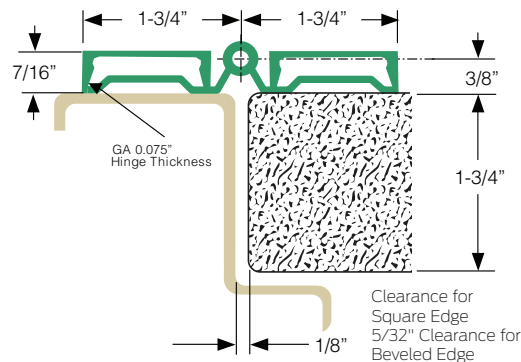
- HT.....Hospital tip

**Optional mounting hardware**

- SECHM.....Security screws - hollow metal door and frame
- SECWDHM.....Security screws - 1/2 wood, 1/2 hollow metal
- SECWDWD.....Security screws - wood door and frame
- WD.....Wood door and frame

**For single door applications:**

For pairs of doors see chart and general information



**A45**  
Hinges & pivots

**B**  
Pulls & plates

**C**  
Flush bolts & coordinators

**D**  
Latches, catches & bolts

**E**  
Stops

**F**  
Exterior hardware

**G**  
Miscellaneous hardware

**A46**  
Hinges & pivots

**B**  
Pulls & plates

**C**  
Flush bolts & coordinators

**D**  
Latches, catches & bolts

**E**  
Stops

**F**  
Exterior hardware

**G**  
Miscellaneous hardware



## 705 Full mortise, full wrap pin and barrel continuous hinge - stainless steel

- Full wrap edge guard
- Adjustable for undersized and out of square doors
- 1/4" diameter pin with nylon self-lubricating, medical grade split bearing
- For doors weighing up to 300 pounds without reinforcing. 600 pounds with reinforcing
- Flush mounted, no inset
- 48" Maximum door width
- Non handed, handing required for custom cut lengths
- Bevel or square edge door

### Certifications

- Meets ANSI 156.26
- UL10C certified

### Standard lengths

- 83", 85", 95", 120"

### Standard mounting hardware

- #10 X 1/2" Self drilling, self tapping screws
- #10 X 1" Wood screws

### Material

- 14 Gauge Type 304 stainless steel

### Finishes

BHMA	Description	Substrate	Finish
630	Satin stainless steel	Stainless steel	US32D

*Custom paint available, consult factory.*

### Options

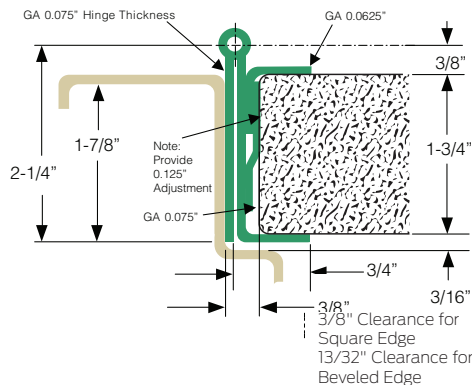
- HT.....Hospital tip
- EPT .....Electric Power Transfer
- TW8 .....Electrical Through Wire
- CON.....Allegion Connect

### Optional mounting hardware

- SECHM.....Security screws - hollow metal door and frame
- SECWDHM.....Security screws - 1/2 wood, 1/2 hollow metal
- SECWDWD .....Security screws - wood door and frame
- WD.....Wood door and frame

### For single door applications:

For pairs of doors see chart and general information



\* Adjusta-Stud allows up to 3/8" width adjustment which ensures proper alignment and easy installation. Adjusta-Stud also makes it possible for future adjustments of the door on the frame through repositioning.



**611 Swing clear pin and barrel continuous hinge - steel**

**711 Swing clear pin and barrel continuous hinge - stainless steel**

- Edge guard
- May be difficult to install on inside walls
- 1/4" diameter pin with nylon self-lubricating, medical grade split bearing
- For doors weighing up to 300 pounds without reinforcing. 600 pounds with reinforcing
- 48" Maximum door width
- Non handed, handing required for custom cut lengths
- Square edge door

**Certifications**

- Meets ANSI 156.26
- UL10C certified

**Standard lengths**

- 83", 85", 95", 120"

**Standard mounting hardware**

- #10 X 1/2" Self drilling, self tapping screws
- #10 X 1" Wood screws

**Material**

- 611 - 1012 cold-rolled steel
- 711 - 14 Gauge Type 304 stainless steel

**Finishes**

BHMA	Description	Substrate	Finish
600	Grey primer paint	Steel	USP
630	Satin stainless steel	Stainless steel	US32D

*Custom paint available on 600 series, consult factory.*

**Options**

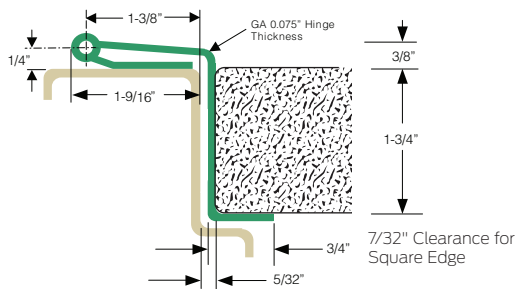
- HT.....Hospital tip

**Optional mounting hardware**

- SECHM.....Security screws - hollow metal door and frame
- SECWDHM.....Security screws - 1/2 wood, 1/2 hollow metal
- SECWDWD.....Security screws - wood door and frame
- WD.....Wood door and frame

**For single door applications:**

For pairs of doors see chart and general information



Hinges & pivots  
**A47**

Pulls & plates  
**B**

Flush bolts & coordinators  
**C**

Latches, catches & bolts  
**D**

Stops  
**E**

Exterior hardware  
**F**

Miscellaneous hardware  
**G**

<b>A48</b> Hinges & pivots
<b>B</b> Pulls & plates
<b>C</b> Flush bolts & coordinators
<b>D</b> Latches, catches & bolts
<b>E</b> Stops
<b>F</b> Exterior hardware
<b>G</b> Miscellaneous hardware



## 711CS Swing clear pin and barrel continuous hinge w/ decorative cover

- Patented cover protects hinge knuckle and creates a cleaner and neater appearance
- XY adjustability feature allows for better door alignment during installation
- Edge guard
- Easy to install mounting location on mortise end of frame
- 2-11/16" minimum frame face requirement
- Patented, medical grade, nylon winged bearings
- For doors weighing up to 300 pounds without reinforcing. 600 pounds with reinforcing
- 1/16" door inset
- 48" Maximum door width
- Non Handed, handing required for custom cut lengths
- Square edge door

### Certifications

- Meets ANSI 156.26
- UL10C certified

### Standard lengths

- 83", 85", 95", 120"

### Standard mounting hardware

- 12-24 X 3/4" Self drilling, self tapping screws

### Material

- 14 Gauge Type 304 stainless steel

### Finishes

BHMA	Description	Substrate	Finish
441	Satin stainless anodized	Aluminum/Steel	US32DAN
600	Grey primer paint	Aluminum/Steel	USP
628	Clear aluminum anodized	Aluminum/Steel	US28
688	Satin brass anodized	Aluminum/Steel	US4AN
709	Satin bronze anodized	Aluminum/Steel	US10AN
710	Dark bronze anodized	Aluminum/Steel	313AN
711	Black anodized	Aluminum/Steel	315AN
712	Bright chrome anodized	Aluminum/Steel	US26AN
713	Satin chrome anodized	Aluminum/Steel	US26DAN

*Custom paint available, consult factory. Standard custom paint is on cover only. Specify if paint on whole hinge is needed.*

### Optional mounting hardware

- SECHM.....Security screws - hollow metal door and frame
- WD.....Wood door and frame

### For single door applications:

For pairs of doors see chart and general information





**715 Full mortise, half wrap pin and barrel continuous hinge - stainless steel**

- Half wrap edge guard
- 1/4" diameter pin with nylon self-lubricating, medical grade split bearing
- For doors weighing up to 300 pounds without reinforcing. 600 pounds with reinforcing
- 1/16" door inset
- 48" Maximum door width
- Non handed, handing required for custom cut lengths
- Square edge door

**Certifications**

- Meets ANSI 156.26
- UL10C certified

**Standard lengths**

- 83", 85", 95", 120"

**Standard mounting hardware**

- #10 X 1/2" Self Drilling, Self Tapping Screws
- #10 X 1" Wood Screws

**Material**

- 14 Gauge Type 304 Stainless Steel

**Finishes**

BHMA	Description	Substrate	Finish
630	Satin stainless steel	Stainless steel	US32D

*Custom paint available on 600 series, consult factory.*

**Options**

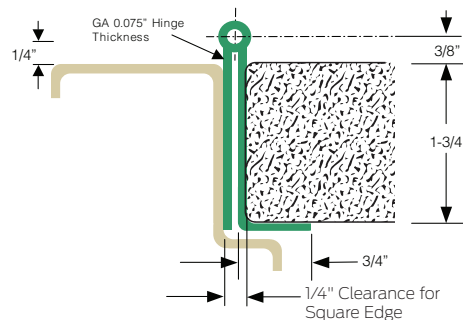
- HT.....Hospital tip
- EPT.....Electric power transfer
- TW8.....Electrical through wire
- CON.....Allegion Connect

**Optional mounting hardware**

- SECHM.....Security screws - hollow metal door and frame
- SECWDHM.....Security screws - 1/2 wood, 1/2 hollow metal
- SECWDWD.....Security screws - wood door and frame
- WD.....Wood door and frame

**For single door applications:**

For pairs of doors see chart and general information



Hinges & pivots  
**A49**

Pulls & plates  
**B**

Flush bolts & coordinators  
**C**

Latches, catches & bolts  
**D**

Stops  
**E**

Exterior hardware  
**F**

Miscellaneous hardware  
**G**

<b>A50</b> Hinges & pivots
<b>B</b> Pulls & plates
<b>C</b> Flush bolts & coordinators
<b>D</b> Latches, catches & bolts
<b>E</b> Stops
<b>F</b> Exterior hardware
<b>G</b> Miscellaneous hardware



## 715CS Full mortise, half wrap pin and barrel continuous hinge w/ decorative cover

- Patented cover protects hinge knuckle and creates a cleaner and neater appearance
- XY adjustability feature allows for better door alignment during installation
- Half wrap edge guard
- Patented, medical grade, nylon winged bearings
- For doors weighing up to 300 pounds without reinforcing. 600 pounds with reinforcing
- Flush mounted, no inset
- 48" Maximum door width
- Non handed, handing required for custom cut lengths
- Square edge door

### Certifications

- Meets ANSI 156.26
- UL10C certified

### Standard lengths

- 83", 85", 95", 120"

### Standard mounting hardware

- 12-24 X 3/4" Self drilling, self tapping screws

### Material

- 14 Gauge Type 304 stainless steel

### Finishes

BHMA	Description	Substrate	Finish
441	Satin stainless anodized	Aluminum/Steel	US32DAN
600	Grey primer paint	Aluminum/Steel	USP
628	Clear aluminum anodized	Aluminum/Steel	US28
688	Satin brass anodized	Aluminum/Steel	US4AN
709	Satin bronze anodized	Aluminum/Steel	US10AN
710	Dark bronze anodized	Aluminum/Steel	313AN
711	Black anodized	Aluminum/Steel	315AN
712	Bright chrome anodized	Aluminum/Steel	US26AN
713	Satin chrome anodized	Aluminum/Steel	US26DAN

*Custom paint available, consult factory. Standard custom paint is on cover only. Specify if paint on whole hinge is needed.*

### Options

- EPT .....Electric power transfer

### Optional mounting hardware

- SECHM.....Security screws - hollow metal door and frame
- WD.....Wood door and frame

### For single door applications:

For pairs of doors see chart and general information